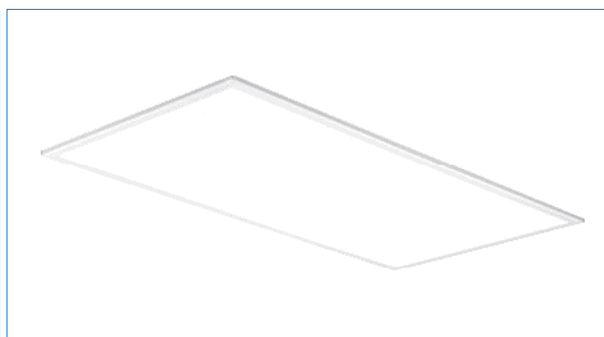
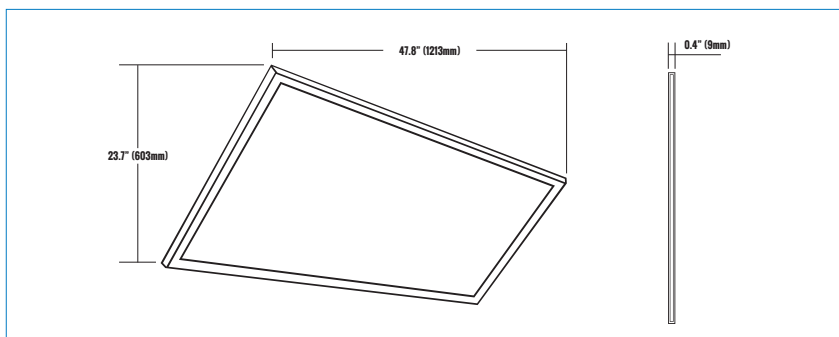


CATALOG #		TYPE
PROJECT		DATE
PREPARED BY		

**PRODUCT CODE: RTP424-60340-WH**
**2X4 LED ULTRA SLIM PANEL TROFFER**
**D21**

**FLAT PANELS**

### PRODUCT DESCRIPTION

The Etlin-Daniels RTP424-60340-WH Ultra-Slim LED Panel Troffers offers energy savings, reduced maintenance and improved illumination advantages over traditional fluorescent fixtures. The Edge-Lit, high performance diode components and premium polycarbonate lens provide even and glare-free lighting.

With our new 120-347V driver, there is no longer any need to stock different voltage of each panel. And, with three mounting options - recessed/surface/suspended - our LED panels will compliment any office, educational, healthcare, commercial or industrial application, whether they be used to retrofit and upgrade the look of an existing site, or installed in a new build. For further energy savings, take advantage of the 0-10V Continuous Dimming. Available in 3000K, 3500K and 4000K.

### FEATURES

- Indoor LED Light Source
- Light weight and durable aluminum and polycarbonate housing
- Edge-Lit surface illumination glare-free uniformity
- Recessed, Surface & Suspension Mounting available
- 120-347V Driver - covers all potential voltage installations
- Earthquake Clips for secure recessed installations
- Easy and secure wiring with pre-installed disconnects
- 0-10V Continuous Dimming
- 5 year warranty
- 50,000 hours L70
- DLC Standard

### PRODUCT SPECIFICATIONS (OPTICAL DATA)

PRODUCT SPECIFICATIONS (OPTICAL DATA)								PRODUCT SPECIFICATIONS (ELECTRICAL DATA)				
LED TYPE	LED QTY	SYSTEM EFFICACY	LUMENS	COLOR TEMPERATURE	BEAM ANGLE	CRI	SYSTEM EFFICIENCY	VOLTAGE	POWER FREQ.	POWER EFFICIENCY	POWER FACTOR	HARMONIC DISTORTION
2835	192 CHIPS	110LM/W± 5%	6600LM	4000K	120°	>80CRI	>88%	AC120~347V	50~60HZ	>88%	>0.95	<20%

### PRODUCT SPECIFICATIONS

WATTAGE	FIXTURE MATERIAL	LIFE SPAN	STORAGE TEMP	OPERATING TEMP	PRODUCT DIMENSIONS	CARTON SIZE
60W	ALUMINUM & POLYCARBONATE	>50,000 HOURS	-40°C~-50°C -40°F~-58°F	-40°C~-50°C -40°F~-58°F	47.75 X 23.74 X 0.50 INCHES (1213 X 603 X 12.6 MM)	50 X 3.54 X 25.98 INCHES (1270 X 90 X 660 MM)



### ADDITIONAL INFORMATION

INSTALLATION METHOD	FIXTURE COLOR	CONTROL TYPE
SUSPENSION/CANOPY SUSPENSION/ SURFACE/T-BAR MOUNT APPLICATIONS	ANODIZED WHITE ALUMINUM FRAME	0-10V CONTINUOUS DIMMING

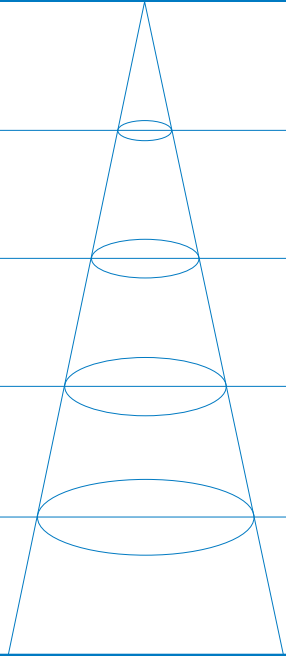
CATALOG #		TYPE
PROJECT		DATE
PREPARED BY		

**PRODUCT CODE: RTP424-60340-WH**

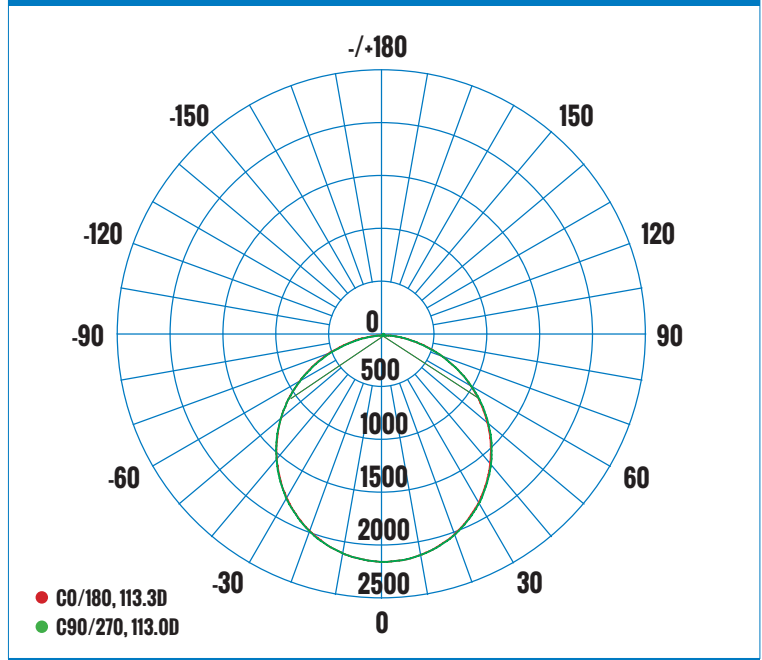
**2X4 LED ULTRA SLIM PANEL TROFFER**

**LUMINAIRE PHOTOMETRIC (TEST REPORT)**

**ILLUMINANCE (AT A DISTANCE) - FLUX OUT: 4805LM**

3.28FT 1M	645.1FC 2264LX		10.04FT 3.02M
6.56FT 2M	161.3FC 566.1LX		19.82FT 6.03M
9.84FT 3M	71.68FC 251.6LX		29.69FT 9.05M
13.12FT 4M	40.32FC 141.5LX		30.09FT 12.06M
16.40FT 5M	25.80FC 90.57LX		50.13FT 15.08M
<b>HT</b>	<b>EAVG/EMAX</b>	<b>ANGLE: 112.90 DEG</b>	<b>DIA</b>

**LUMINOUS INTENSITY DISTRIBUTION DIAGRAM**



**AVERAGE BEAM ANGLE(50%): 113.1 DEG**

**CERTIFICATIONS**

**DRIVER/LED CHIP**



**MOUNTING OPTIONS**



**ORDERING INFORMATION - RTP SERIES**

SERIES	DLC TYPE	SIZE	WATTS	VOLTAGE	COLOR TEMPERATURE	DIMMABLE	FINISH
E.G. RTP	4	24	60	3	4	0	WH
RTP - SLIM	4 - DLC4	24 - 2X4	60 - 60W	3 - 120-347V	4 - 4000K	0 - 0-10V	WH - WHITE
PANEL TROFFER						CONTINUOUS DIMMING	

Head Office - 1850 Wilson Ave. · Toronto, ON · M9M 1A1 · Tel: 416.741.7336 · Fax: 416.741.9104

Toll Free: in Canada. 1.800.661.9610 · in USA. 1.888.762.5384 (SOCKETS4U)

www.etlin-daniels.com · For sales/service questions - sales@etlin.com