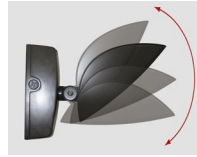


The VEK2-LED78 is an adjustable multi-purpose fixture that replaces traditional wall packs and floods. The head can be aimed up or down where light is needed. The fixture includes a photocell for dusk to dawn operation.



APPLICATIONS

Ideal for use on outdoor walls along perimeters of buildings, townhouses, condominiums, schools.

Project	
Type	
Date	
Notes	

SPECIFICATIONS

Construction

Die cast aluminum housing with tamper proof stainless steel hardware. Clear tempered glass lens with a gasket. There are 5 conduit entries and the unit has a leveling bubble on the back box for proper alignment.

LED configuration

The VEK2-LED78 has four led arrays each with six LEDs that deliver 6890 lumens. The LEDs have a color temperature of 5000K, a CRI of greater than 70 and an operating temperature range of -40° C - to +40°C. 4000K and 3000K also available.

Mounting

Wall mount, ceiling mount or ground mounted on a concrete pad. Unit can be mounted to standard junction boxes.

Adjustable head

The fixture can be aimed 0° - 90° delivering more lumens on the ground where needed.

Electrical

Total system wattage of the unit is 71W. The unit has high efficiency drivers that operate at 120V standard. 347V also available.

Finish

Standard finish is Black, Bronze or White. Please consult factory for custom colour.

Photocell

Included for dusk to dawn operation or custom requirements.

Accessories

On/Off Motion Sensor, Dimmable Motion Sensor, Goof Tray

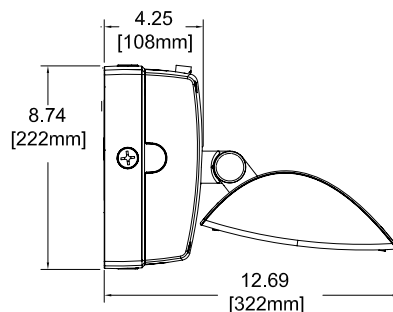
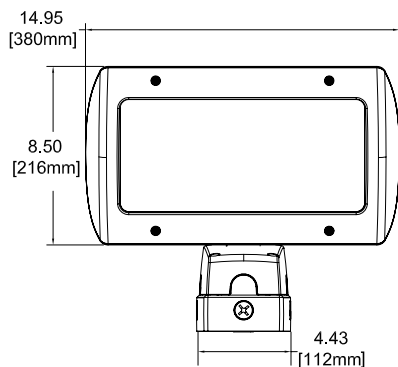
Sign light

The VEK Series of fixtures can also be used with various arms for sign lighting. Contact us to learn more.

Input Watts	71W
Lumens	6890
Efficiency	97 lumens per watt

Operating Temperature	-40°C - +40°C
Certification	cULus, DLC, IP65 meets LM79, LM80
Warranty	5 Years
LED life	100,000 hours

DIMENSIONS

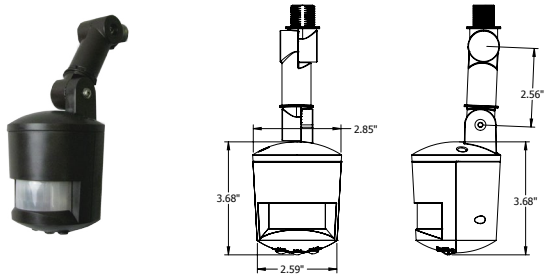


With Optional Motion Sensor

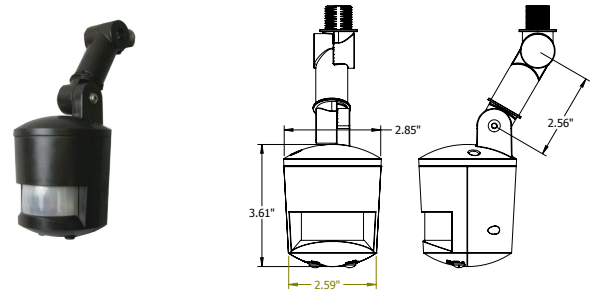


ACCESSORIES

0-10V Dimmable Smart Sensor with timing and lux controls
(MS180DIM)



On/Off Sensor with timing and lux controls
(MS180S)



SIGN LIGHT OPTION



Wall mount sign light . Also available as a roof mount.

Contact us to learn more about sign lighting options.



Goof Tray

VEK with a Goof Tray to hide damage and discoloration on mounting surface.

PHOTOMETRICS

CATALOG NUMBER: VEK2-LED78-A-5K-BRZ

FILENAME: VEK2-LED78-A-5K-BRZ-PC.IES

IESNA:LM-63-1995

[TESTLAB] UL Verification Services (Guangzhou) Co., Ltd.

[TESTDATE] 2014-12-12

[ISSUEDATE] 2014-12-12

[LUMCAT] VEK2-LED78-A-5K-BRZ

[LUMINAIRE] VEK2 SERIES

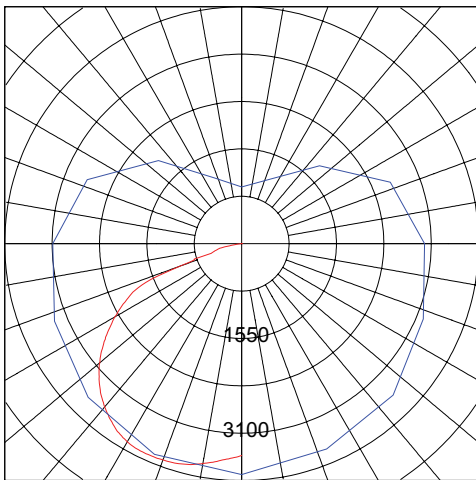
[LAMP] [LAMP]

[LAMP]

SUMMARY DATA

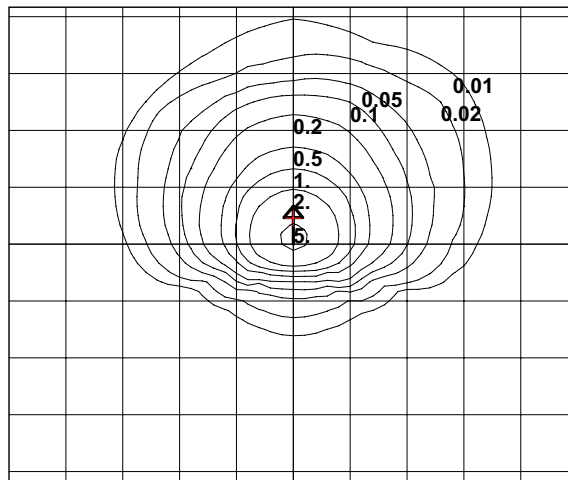
EFFICIENCY (Total):	- 698475.3 %
EFFICIENCY (Down / Up):	- 698207.1 % / - 268.2 %
EFFICIENCY (Street / House):	0.0 % / 0.0 %
LUMENS/LAMP:	-1
NO. OF LAMPS:	1
LUMINOUS OPENING:	RECTANGULAR
Width:	0.03 (Meters)
Length:	0.01
Height:	0.06
INPUT WATTS:	70.97

PLANE & CONE DIAGRAM



Max plane at H = 0 Max cone at V = 24.5
MAX CANDLEPOWER: 3775.427

ISO-ILLUMINANCE DIAGRAM



Mounting Height = 25 Feet. Each box represents one mounting height.

Mounting Height	Multiplier
10	6.250
15	2.778
20	1.563
25	1.000
30	0.694
35	0.510
40	0.391
45	0.309
50	0.250

+ = Point of max candela

ORDERING GUIDE

VEK2	-	LED78	-		-		-	
		VOLTAGE		COLOR TEMP		FINISH		DRIVER
		A - 120V*		5K - 5000K*		BRZ - BRONZE*		DIM - Dimmable*
		B - 120-277V		4K - 4000K		WHT - WHITE*		PC - Photocell*
		F - 277V		3K - 3000K		BLK - BLACK*		BLANK - no photocell
		C - 347V				CC - Custom Colour		

* Standard configuration

Consult customer service to add the dimmable smart sensor (MS180DIM) or the on/off sensor (MS180S) to the VEK fixture as a combined unit.

Goof tray accessories can be ordered separately.