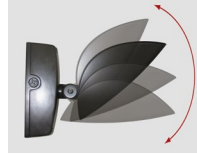


The VEK2-LED52 is an adjustable multi-purpose fixture that replaces traditional wall packs and floods. The head can be aimed up or down where light is needed. The fixture includes a photocell for dusk to dawn operation.



### APPLICATIONS

**Ideal for use on outdoor walls along perimeters of buildings, townhouses, condominiums, schools.**

<b>Project</b>	
<b>Type</b>	
<b>Date</b>	
<b>Notes</b>	

### SPECIFICATIONS

#### Construction

Die cast aluminum housing with tamper proof stainless steel hardware. Clear tempered glass lens with a gasket. There are 5 conduit entries and the unit has a leveling bubble on the back box for proper alignment.

#### LED configuration

The VEK2-LED52 has four led arrays each with six LEDs that deliver 5333 lumens. The LEDs have a color temperature of 5000K, a CRI of greater than 70 and an operating temperature range of -40° C - to +40°C. 4000K and 3000K also available.

#### Mounting

Wall mount, ceiling mount or ground mounted on a concrete pad. Unit can be mounted to standard junction boxes.

#### Adjustable head

The fixture can be aimed 0° - 90° delivering more lumens on the ground where needed.

#### Electrical

Total system wattage of the unit is 52W. The unit has high efficiency drivers that operate at 120V standard. 347V available as an option.

#### Finish

Standard finish is Bronze, Black or White. Please consult factory for custom colour.

#### Photocell

Included for dusk to dawn operation or custom requirements.

#### Accessories

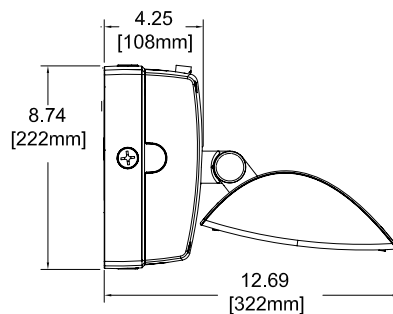
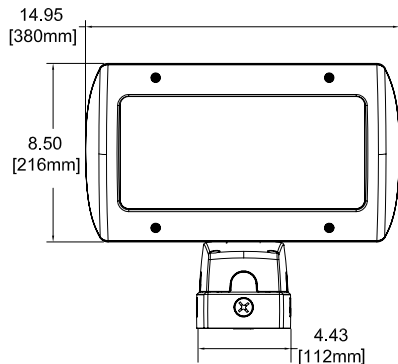
On/Off Motion Sensor, Dimmable Motion Sensor, Goof Tray

#### Sign light

The VEK Series of fixtures can also be used with various arms for sign lighting. Contact us to learn more.

<b>Input Watts</b>	<b>52W</b>
<b>Lumens</b>	<b>5333</b>
<b>Efficiency</b>	<b>103 lumens per watt</b>
<b>Operating Temperature</b>	<b>-40°C - +40°C</b>
<b>Certification</b>	<b>cULus, DLC, IP65 meets LM79, LM80</b>
<b>Warranty</b>	<b>5 Years</b>
<b>LED life</b>	<b>100,000 hours</b>

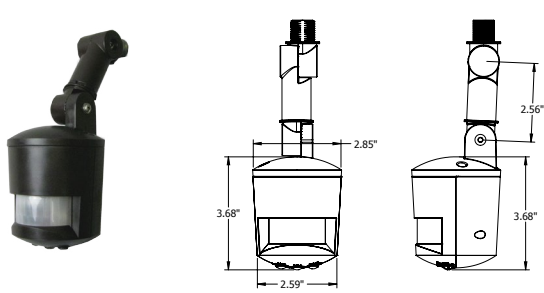
### DIMENSIONS



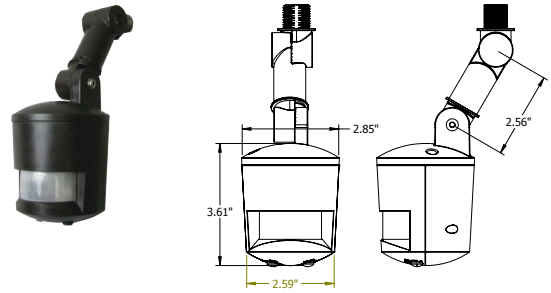
With Optional Motion Sensor



ACCESSORIES



**0-10V Dimmable Smart Sensor with timing and lux controls**  
(MS180DIM)



**On/Off Sensor with timing and lux controls**  
(MS180S)

SIGN LIGHT OPTION



**Wall mount sign light**  
Also available as a roof mount.  
Contact us to learn more about sign lighting options.



**Goof Tray**  
VEK with a Goof Tray to hide damage and discoloration on mounting surface.

PHOTOMETRICS

**CATALOG NUMBER: VEK2-LED52-A-5K-BRZ**

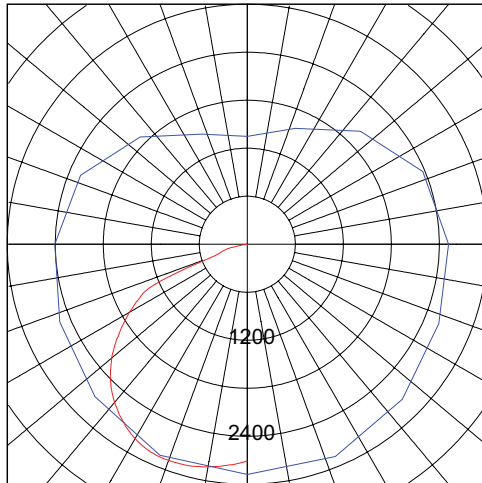
FILENAME: VEK2-LED52-A-5K-BRZ-PC.IES  
 IESNA:LM-63-2002  
 [TESTLAB] UL Verification Services (Guangzhou) Co., Ltd.  
 [TESTDATE] 2014-12-12  
 [ISSUE DATE] 2014-12-12

[LUMCAT] VEK2-LED52-A-5K-BRZ  
 [LUMINAIRE] VEK2 SERIES  
 [LAMP CAT]  
 [LAMP]

**SUMMARY DATA**

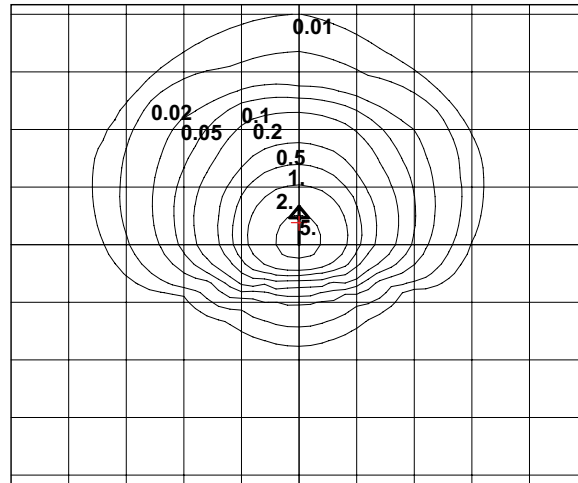
EFFICIENCY (Total): - 538347.8 %  
 EFFICIENCY (Down / Up): - 538135.4 % / - 212.4 %  
 EFFICIENCY (Street / House): 0.0 % / 0.0 %  
 LUMENS/LAMP: -1  
 NO. OF LAMPS: 1  
 LUMINOUS OPENING: RECTANGULAR  
     Width: 0.03 (Meters)  
     Length: 0.01  
     Height: 0.06  
 INPUT WATTS: 52.57

**PLANE & CONE DIAGRAM**



Max plane at H = 0      Max cone at V = 21  
 MAX CANDLEPOWER: 2876.33

**ISO-ILLUMINANCE DIAGRAM**



Mounting Height = 20 Feet. Each box represents one mounting height.

Mounting Height	Multiplier
10	4.000
15	1.778
20	1.000
25	0.640
30	0.444
35	0.327
40	0.250
45	0.198
50	0.160

+ = Point of max candela

ORDERING GUIDE

<b>VEK2</b>	-	<b>LED52</b>	-		-		-	
		<b>VOLTAGE</b>		<b>COLOR TEMP</b>		<b>FINISH</b>		<b>DRIVER</b>
		A - 120V*		5K - 5000K*		BRZ - BRONZE*		DIM - Dimmable*
		B - 120-277V		4K - 4000K		WHT - WHITE*		PC - Photocell*
		F - 277V		3K - 3000K		BLK - BLACK*		BLANK - no photocell
		C - 347V				CC - Custom Colour		

\* Standard configuration

Consult customer service to add the dimmable smart sensor (MS180DIM) or the on/off sensor (MS180S) to the VEK fixture as a combined unit.

Goof tray accessories can be ordered seperately.