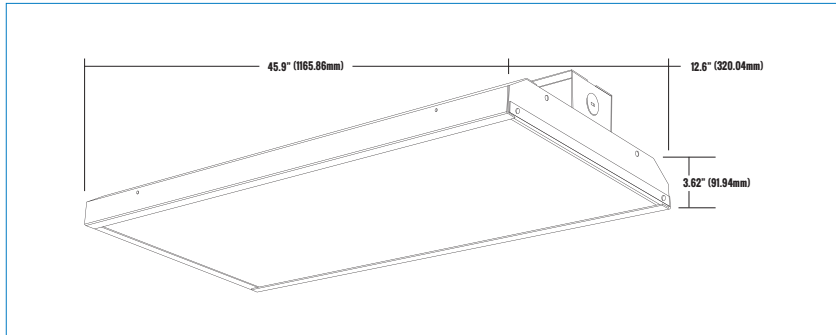


CATALOG #		TYPE
PROJECT		DATE
PREPARED BY		

PRODUCT CODE: HBL4-223350-WH
LED LINEAR HIGH BAY/4FT


PRODUCT DESCRIPTION

The Etlin-Daniels HBL4-223350-WH, 347V LED Linear Highbay offers excellent illumination, color rendering and energy savings in a compact 4 foot package. With over 131lm/w, and >29,000lm, this fixture easily replaces 400W Metal Halide lighting at mounting heights up to 35 feet or Pulse Start Metal Halide up to 450W. These fixtures provide high lumen levels and have precision designed frosted optics for even illumination and minimal glare. By taking advantage of the optional wire guards, multiple mounting and color temperature choices, excellent color rendering, and available 0-10V Continuous Dimming, the HBL4-347V series is the right solution for industrial, commercial, big box retail and sports facilities.

FEATURES


- Indoor LED Light Source
- >131lm/w
- Compact, light weight 4 foot design
- Precision designed frosted optics
- Wire guards available
- Fixture package includes V-Hooks and chain for suspension mount
- Pendant mount option available.
- Damp location rated
- 0-10V Continuous Dimming
- 5 Year Warranty
- L70 - 50,000 hours
- DLC Premium

PRODUCT SPECIFICATIONS (OPTICAL DATA)

LED TYPE	LED QTY	SYSTEM EFFICACY	LUMENS	COLOR TEMPERATURE	BEAM ANGLE	CRI	SYSTEM EFFICIENCY	VOLTAGE	POWER FREQ.	POWER EFFICIENCY	POWER FACTOR	HARMONIC DISTORTION
SEOUL	336 CHIPS	131LM/W	29,213LM	5000K	120°	>80CRI	>85%	AC347~480V	50~60HZ	>85%	>0.9	<10%

PRODUCT SPECIFICATIONS (ELECTRICAL DATA)

PRODUCT SPECIFICATIONS

WATTAGE	FIXTURE MATERIAL	LIFE SPAN	STORAGE TEMP	OPERATING TEMP	PRODUCT DIMENSIONS	CARTON SIZE	
223W	BAKED WHITE ENAMEL/ OPAL LENS DIFFUSER	>50,000 HOURS	-30°C~+50°C -22°F~+122°F	-40°C~+80°C -40°F~+176°F	45.9 X 12.6 X 3.62 INCHES (1165.86 X 320.04 X 91.95 MM)	47.05 X 12.95 X 3.86 INCHES (1195 X 329 X 98 MM)	

ADDITIONAL INFORMATION

INSTALLATION METHOD

V HOOK & CHAIN/PENDANT WIRE GUARD

FIXTURE COLOR

WHITE ENAMEL/OPAL LENS

CONTROL TYPE

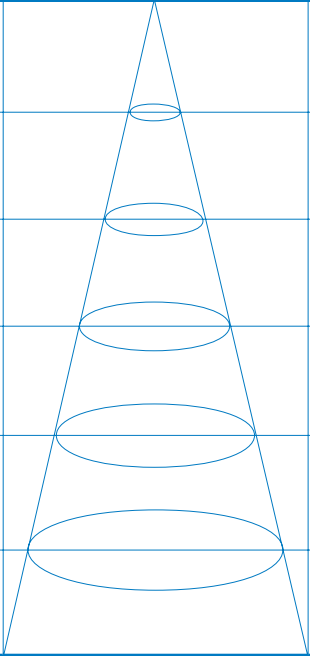
0-10V CONTINUOUS DIMMING

CATALOG #		TYPE
PROJECT		DATE
PREPARED BY		

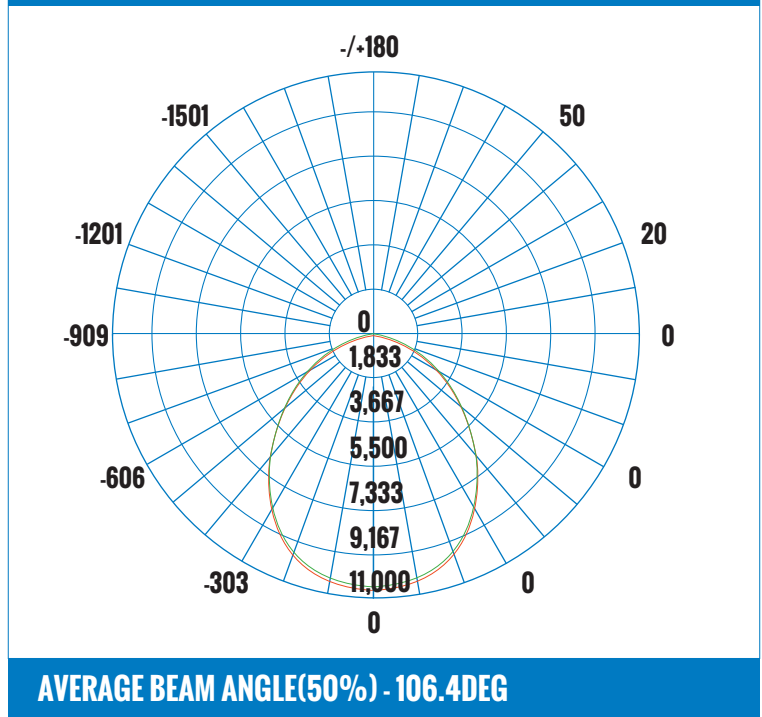
PRODUCT CODE: HBL4-223350-WH LED LINEAR HIGH BAY/4FT

LUMINAIRE PHOTOMETRIC (TEST REPORT)

ILLUMINANCE (AT A DISTANCE) - FLUX OUT: 29,213LM

2.30FT 0.7M	23,646.38 LX		5.91FT 180CM
4.27FT 1.3M	5,911.59 LX		11.81FT 360CM
6.56FT 2.0M	2,627.38 LX		17.39FT 530CM
8.85FT 2.7M	1,477.90 LX		23.29FT 710CM
10.83FT 3.3M	945.86 LX		29.20FT 890CM
13.12FT 4.0M	656.84 LX		35.10FT 1070CM
HT	EAVG/EMAX	ANGLE: 106.4DEG	DIA

LUMINOUS INTENSITY DISTRIBUTION DIAGRAM



CERTIFICATIONS

DRIVER/LED CHIP



MOUNTING OPTIONS/ACCESSORIES



ORDERING INFORMATION - HBL4 SERIES

SERIES	SIZE	WATTS	VOLTAGE	COLOR TEMPERATURE	DIMMABLE	FINISH
E.G. HBL	4	223	3	5	0	WH
HBL - HIGH BAY LINEAR	4 - 4'	223 - 223W	3 - 347V	5 - 4000K	0 - 0-10V CONTINUOUS DIMMING	WH - WHITE

Head Office - 1850 Wilson Ave. · Toronto, ON · M9M 1A1 · Tel: 416.741.7336 · Fax: 416.741.9104

Toll Free: in Canada. 1.800.661.9610 · in USA. 1.888.762.5384 (SOCKETS4U)

www.etlin-daniels.com · For sales/service questions - sales@etlin.com