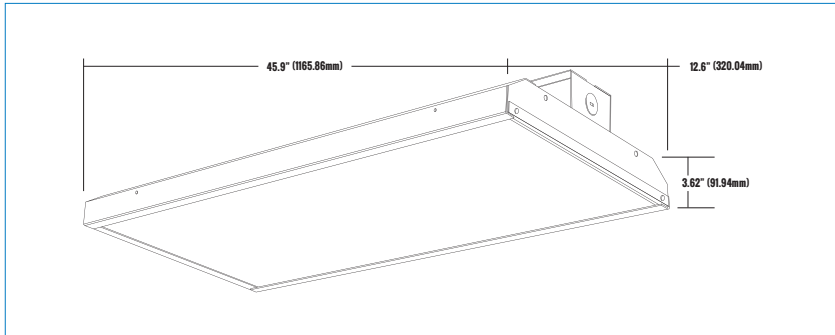


CATALOG #		TYPE
PROJECT		DATE
PREPARED BY		

PRODUCT CODE: HBL4-220U40-WH
LED LINEAR HIGH BAY/4FT


PRODUCT DESCRIPTION

Etlin-Daniels is pleased to introduce their new High Performance LED Linear Highbay lighting - the HBL4-220 Series. These fixtures are 4 feet in length, and provide high lumen efficacy, excellent color rendering, multiple mounting options, are damp location rated, and have precision designed, frosted optics. The new HBL4 - 220 Series offers the very best in performance and energy efficient, cost effective solutions for industrial, commercial, retail and sports applications. Further energy savings are available by taking advantage of the installed 0-10V continuous dimming option.

- Multiple color temperatures and mounting hardware options in stock

FEATURES

- 4 foot length
- Frosted Lens
- Multiple Mounting Options
- Wire guards available
- >121lm/w - high efficacy
- CRI >80
- 50,000hr L70
- 5 year warranty
- cULus certified
- DLC Standard
- 0-10V Continuous dimming

PRODUCT SPECIFICATIONS (OPTICAL DATA)

LED TYPE	LED QTY	SYSTEM EFFICACY	LUMENS	COLOR TEMPERATURE	BEAM ANGLE	CRI	SYSTEM EFFICIENCY	VOLTAGE	POWER FREQ.	POWER EFFICIENCY	POWER FACTOR	HARMONIC DISTORTION
LG	448 CHIPS	121.2LM/W	26,665LM	4000K	120°	>80CRI	>85%	AC120~277V	50~60HZ	>85%	>0.95	<10%

PRODUCT SPECIFICATIONS (ELECTRICAL DATA)

PRODUCT SPECIFICATIONS

WATTAGE	FIXTURE MATERIAL	LIFE SPAN	STORAGE TEMP	OPERATING TEMP	PRODUCT DIMENSIONS	CARTON SIZE
220W	BAKED WHITE ENAMEL/OPAL LENS DIFFUSER	>50,000 HOURS	-30°C~-50°C -22°F~-122°F	-40°C~-80°C -40°F~-176°F	45.9 X 12.6 X 3.62 INCHES (1165.86 X 320 X 91.94 MM)	47.04 X 12.95 X 3.85 INCHES (1195 X 329 X 98 MM)



ADDITIONAL INFORMATION

INSTALLATION METHOD

V HOOK & CHAIN/PENDANT MOUNT APPLICATIONS

FIXTURE COLOR

WHITE ENAMEL/OPAL LENS

CONTROL TYPE

0-10V CONTINUOUS DIMMING

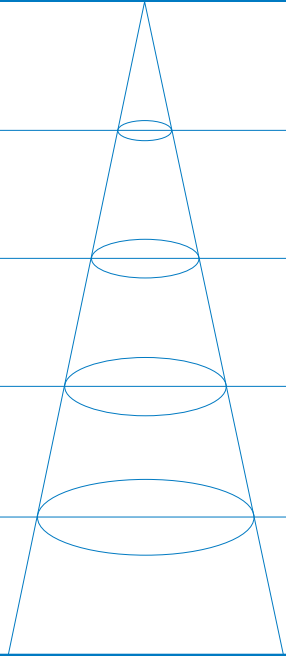
CATALOG #		TYPE
PROJECT		DATE
PREPARED BY		

PRODUCT CODE: HBL4-220U40-WH

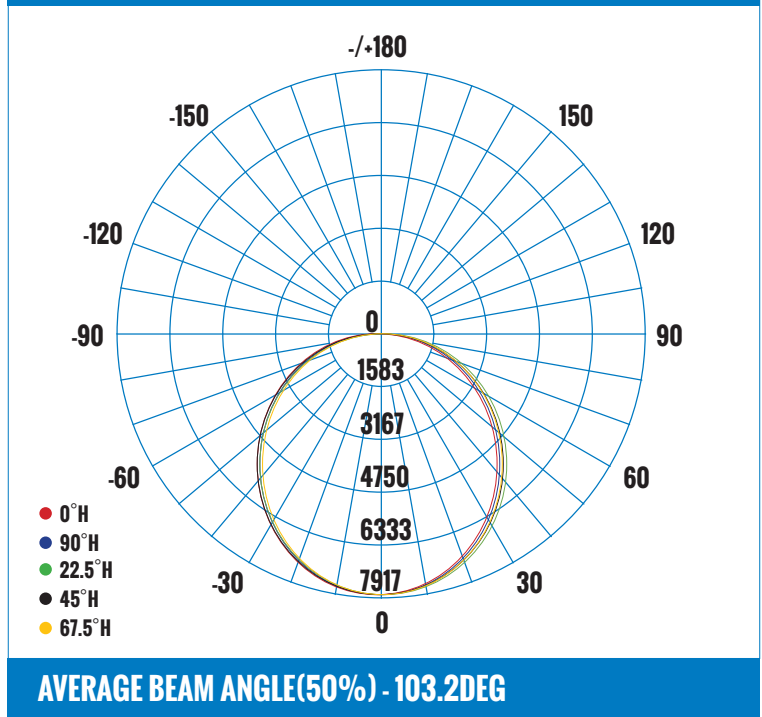
LED LINEAR HIGH BAY/4FT

LUMINAIRE PHOTOMETRIC (TEST REPORT)

ILLUMINANCE (AT A DISTANCE) - FLUX OUT: 24,022.1LM

2.29FT 0.7M	21,330.45LX		5.24FT 1.6M
4.26FT 1.3M	5,332.61LX		10.49FT 3.2M
6.56FT 2.0M	2,370.05LX		15.74FT 4.8M
8.85FT 2.7M	1,333.15LX		20.99FT 6.4M
10.82FT 3.3M	853.22LX		26.24FT 8.0M
HT	EAVG/EMAX	ANGLE: 103.2DEG	DIA

LUMINOUS INTENSITY DISTRIBUTION DIAGRAM



CERTIFICATIONS

DRIVER/LED CHIP



MOUNTING OPTIONS/ACCESSORIES



ORDERING INFORMATION - HBL4 SERIES

SERIES	SIZE	WATTS	VOLTAGE	COLOR TEMPERATURE	DIMMABLE	FINISH
E.G. HBL	4	220	U	4	0	WH
HBL - HIGH BAY LINEAR	4 - 4'	220 - 220W	U - 120-277V	4 - 4000K	0 - 0-10V CONTINUOUS DIMMING	WH - WHITE

Head Office - 1850 Wilson Ave. · Toronto, ON · M9M 1A1 · Tel: 416.741.7336 · Fax: 416.741.9104

Toll Free: in Canada. 1.800.661.9610 · in USA. 1.888.762.5384 (SOCKETS4U)

www.etlin-daniels.com · For sales/service questions - sales@etlin.com