

INSTALLATION FOR HBL2 HIGH BAY SERIES

SAVE THESE INSTRUCTIONS - READ ALL INSTRUCTIONS CAREFULLY



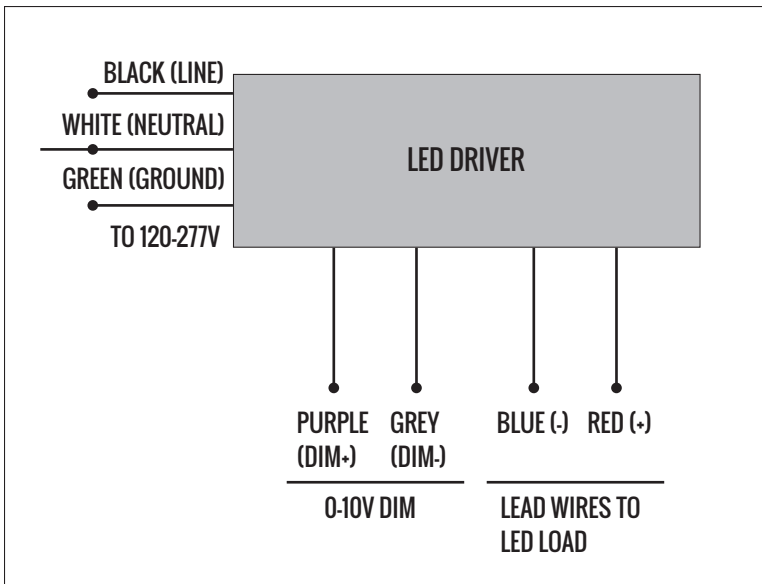
WARNING



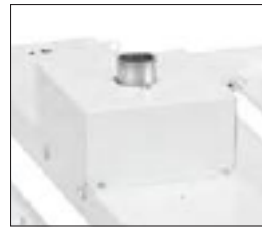
PLEASE READ ALL INSTRUCTIONS BEFORE ATTEMPTING INSTALLATION.

- To prevent personal injury or product damage only licensed electricians/personnel should install fixture.
- To avoid electric shock or component damage disconnect power before attempting installation or servicing.
- This product must be installed in accordance with the National Electric Code (NEC)/Canadian Electrical Code (CEC) and all applicable Federal, State/Provincial and Local Electric Codes and Safety Standards.
- Disconnect fixture and allow cooling prior to servicing.
- Any alteration or modification of this product is expressly forbidden as it may cause serious personal injury, death, property damage and/or product malfunction.
- To prevent product malfunction and/or electrical shock this product must be properly grounded.
- All parts must be used as indicated in the instructions. Do not substitute any parts, leave parts out, or use any parts that are worn, damaged or broken.
- Selected fixture voltage must match supply line voltage.

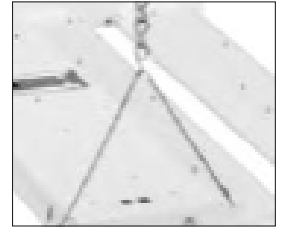
WIRING DIAGRAM



MOUNTING OPTIONS



PENDANT HANGER (SOLD SEPARATELY)
PART#: HBL2-CB-20GUA



CHAIN KIT (SOLD SEPARATELY)
PART#: HBL2-CH



WIRE GUARD (SOLD SEPARATELY)
PART#: HBL2-WG-126-WH (HBL2-110 SERIES) PART#: HBL2-WG-173-WH (HBL2-160 SERIES)

ALWAYS TURN OFF THE POWER SUPPLY FROM MAIN CIRCUIT BREAKER FIRST!

1. Remove LED fixture from packaging and inspect for any damages. Handle new LED fixture with care.

2. CHAIN MOUNT:

Install the chain into the provided wire hanger. Secure the other end of the chain to a structure using hardware rated for the weight. Install the wire hanger into the sides holes on top of the fixture. Make sure the wire hangers are fully engaged into the side holes on top of the fixture.

3. Connect the LED High Bay wiring to line wire, black to black, white to white and green to green. Use only UL/CSA listed wiring.

NOTE: Purple and grey lead inside the driver compartment are 0-10V (low voltage) dimming leads. Connect to dimming low voltage wiring only.

4. Clean all residue/fingerprints from the LED high bay and lens.

IMPORTANT: Double check all hanging hardware before moving onto the next installation.